

SPECIFICATIONS	Model	GPN415							
		GPN-series 15kW, 3-phase							
<p>Type of Pump Submersible slurry pump for construction and foundation works, mining, and quarries, etc.</p> <p>Type of Fluid Water containing sand, mud, and slurry</p> <p>Temperature: 0 to 40°C (High temperature model available on special request)</p> <p>Discharge Bore & Connection 100mm, Hose Coupling</p> <p>Motor Output 15kW</p> <p>Power Supply Three-phase</p> <p>Starting Method Direct on Line (Star-Delta available on special request)</p> <p>Motor Continuous-duty rated, dry-type induction motor</p> <p>Insulation Class: B Degree of Protection: IP68</p> <p>No. of Poles & Speed (Synchronous Speed) 4-pole, 1500/1800min⁻¹ (50/60Hz)</p> <p>Power Supply Voltages & Rated Currents</p> <table border="0"> <tr> <td>50Hz</td> <td>60Hz</td> </tr> <tr> <td>380V – 30.0A</td> <td>220V – 50.2A</td> </tr> <tr> <td>400V – 28.5A</td> <td>380V – 29.1A</td> </tr> <tr> <td>415V – 27.5A</td> <td>440V – 25.1A</td> </tr> </table> <p>Power Cable Sheath: Chloroprene rubber Standard Length: 10m 380 to 600V supply: 1 x 4 x 8mm², O.D. 21.7mm 200 to 240V supply: 1 x 4 x 14mm², O.D. 25.6mm</p> <p>Dry Weight (excluding cable) Free Standing Type: 220kg Guide Rail Fitting Type: 217kg</p>	50Hz	60Hz	380V – 30.0A	220V – 50.2A	400V – 28.5A	380V – 29.1A	415V – 27.5A	440V – 25.1A	<p>Impeller Semi-open Impeller made of high-chromium cast iron</p> <p>Solids Passage 50Hz – ϕ30mm 60Hz – ϕ30mm</p> <p>Agitator High-chromium cast iron</p> <p>Suction Plate Made of high-chromium cast iron, excellent in abrasion-resistance</p> <p>Cable Entry with Anti-Wicking Block Watertight cable entry with strain-relief device. The anti-wicking block prevents water incursion due to capillary action should the power cable be damaged or the end submerged.</p> <p>Bearing Permanently lubricated, deep-groove, double-shielded C3 ball bearings</p> <p>Shaft Chromium molybdenum steel</p> <p>Shaft Seal (Mechanical Seal) Furnished with a mechanical seal located in oil chamber. The seal face always runs in a clean environment.</p> <p>Seal Face: SiC + SiC</p> <p>Type of Lubricating Oil & Volume Turbine Oil (ISO VG32), 2500ml</p> <p>Motor Protection Device A circle thermal protector built in the motor housing. Directly cuts the motor circuit if excessive heat builds up or an overcurrent condition occurs in the motor.</p>
50Hz	60Hz								
380V – 30.0A	220V – 50.2A								
400V – 28.5A	380V – 29.1A								
415V – 27.5A	440V – 25.1A								

NO. J4-40820-1

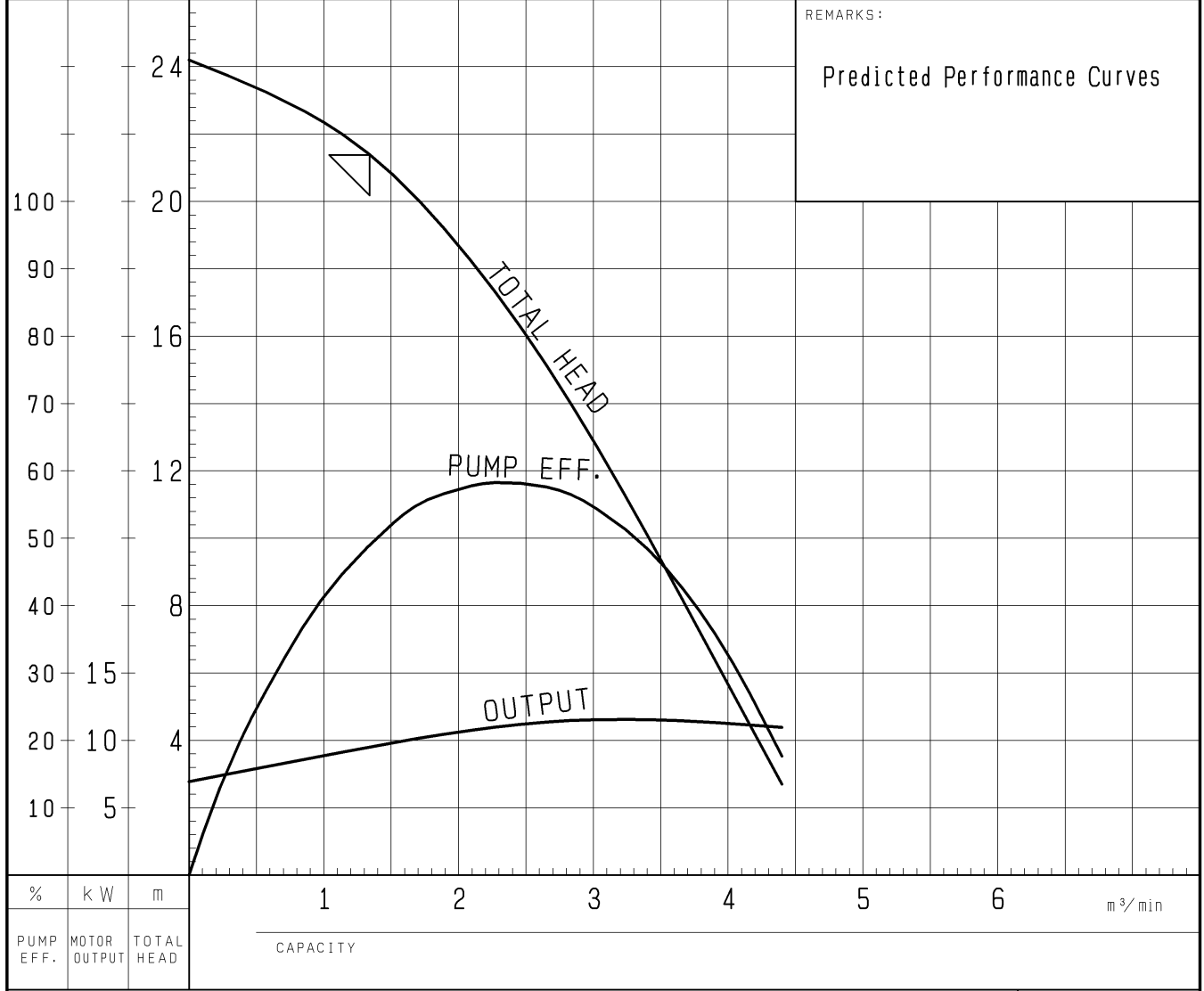
PUMP PERFORMANCE CURVES

TYPE SUBMERSIBLE PUMP	MODEL GPN415-61	FREQUENCY 60 Hz
---------------------------------	---------------------------	---------------------------

CUSTOMER'S NAME _____

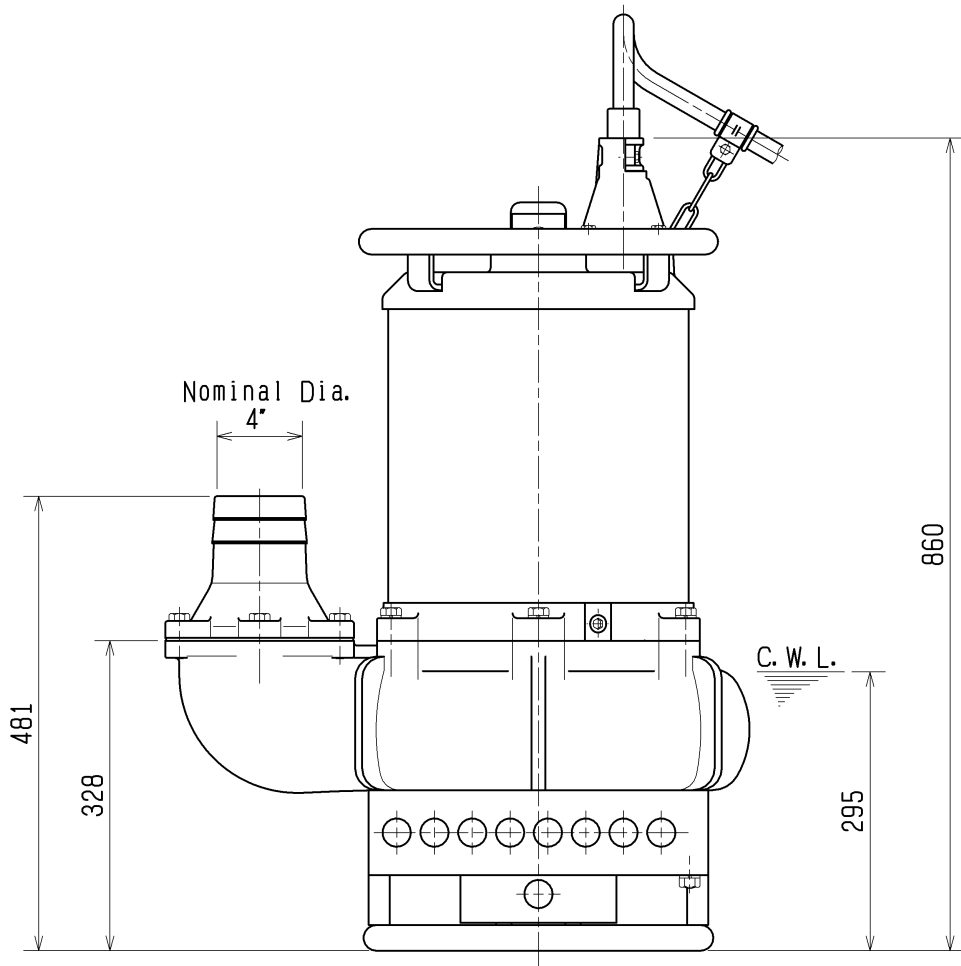
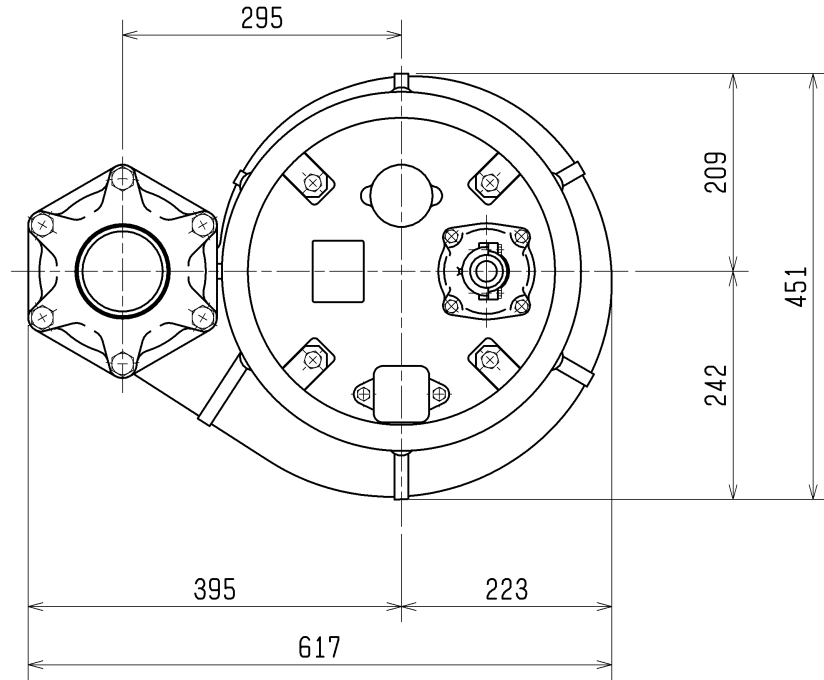
EQUIPMENT TITLE _____ NO. _____

	STANDARD SPECIFICATIONS	REQUIRED SPECIFICATIONS
DISCHARGE BORE	mm	100 mm
TOTAL HEAD	m	21.3 m
CAPACITY	m ³ /min	1.3 m ³ /min
MOTOR OUTPUT	kW	15 kW
PHASE × VOLTAGE	φ × V	3 φ × 460 V
CURRENT	A	24 A
POLES / REVOLUTION	P / min ⁻¹	4 P / S. S. 1800 min ⁻¹
STARTING METHOD		DIRECT ON LINE
INSULATION CLASS		B



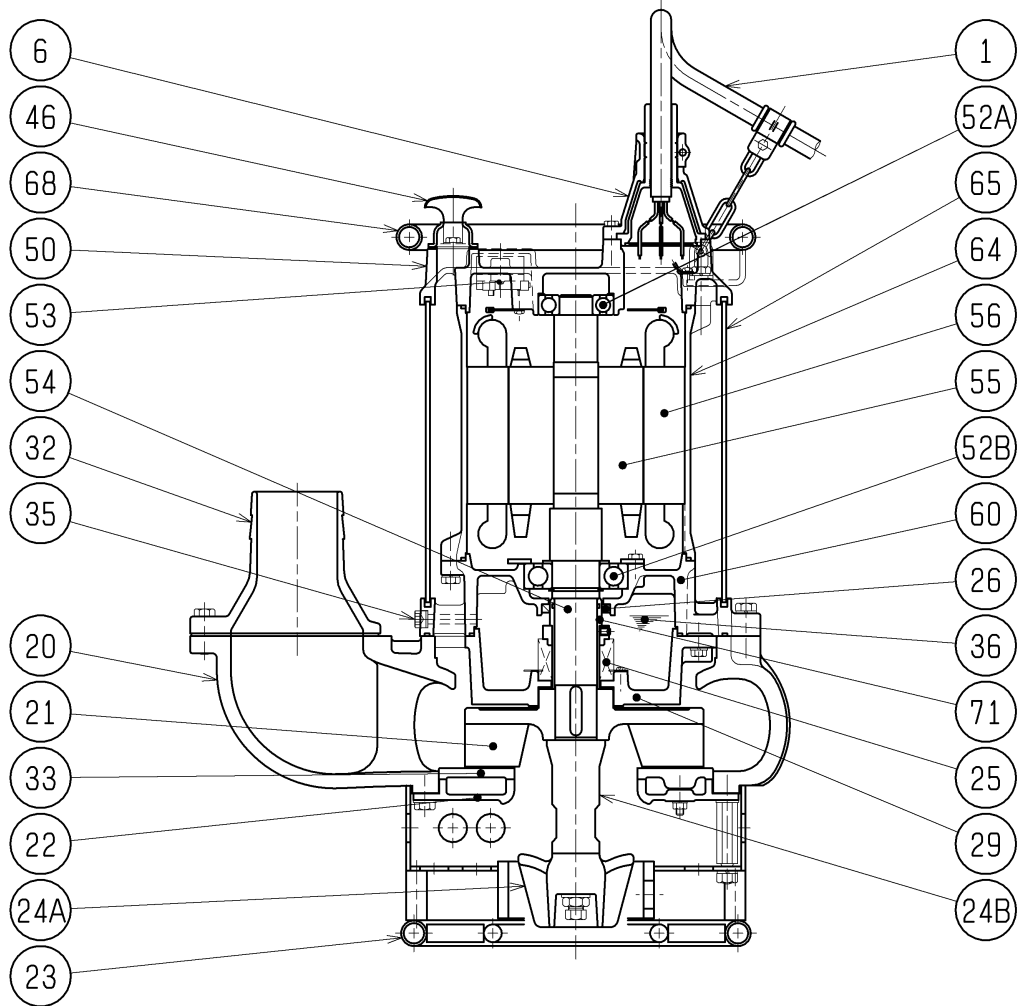
TSURUMI MFG. CO., LTD.

DIMENSION DRAWING		No.	No. J4-40823-1
TYPE	SUBMERSIBLE PUMP	MODEL	GPN415-51/61



C.W.L. :Continuous Running Water Level

SECTIONAL DRAWING		No.	No. J4-40824-1
TYPE	SUBMERSIBLE PUMP	MODEL	GPN415-51/61



REQ. SPECIFICATION

No.	DESCRIPTION	QTY	MATERIAL / NOTE	No.	DESCRIPTION	QTY	MATERIAL / NOTE
1	Cable	1	Chloroprene Sheath ※1	46	Air Release Valve	1	Steel Sheet
6	Stuffing Box	1	Gray Iron Casting	50	Motor Bracket	1	Gray Iron Casting
20	Pump Casing	1	Gray Iron Casting	52A	Upper Bearing	1	6307ZC3
21	Impeller	1	Chromium Iron Casting	52B	Lower Bearing	1	6310ZC3
22	Suction Cover	1	Gray Iron Casting	53	Motor Protector	1	
23	Strainer Stand	1	Carbon Steel Pipe & Steel Sheet	54	Shaft	1	Chromium Molybdenum Steel
24A	Stirrer	1	Chromium Iron Casting	55	Rotor	1	
24B	Connecting Rod	1	Malleable Iron Casting (Quenching)	56	Stator	1	
25	Mechanical Seal	1	NH-50	60	Bearing Housing	1	Gray Iron Casting
26	Oil Seal	1	TC55729	64	Motor Frame	1	Gray Iron Casting
29	Oil Casing	1	Gray Iron Casting	65	Outer Cover	1	Structure Steel
32	Hose Coupling	1	Gray Iron Casting	68	Handle	1	Carbon Steel Pipe
33	Suction Plate	1	Chromium Iron Casting	71	Shaft Sleeve	1	Stainless Steel 304
35	Oil Plug	1	Stainless Steel 304				
36	Lubricant		Turbine Oil (ISO VG32)				