

SPECIFICATIONS	Model	GPN622							
		GPN-series 22kW, 3-phase							
<p>Type of Pump Submersible slurry pump for construction and foundation works, mining, and quarries, etc.</p> <p>Type of Fluid Water containing sand, mud, and slurry</p> <p>Temperature: 0 to 40°C (High temperature model available on special request)</p> <p>Discharge Bore & Connection 150mm, Hose Coupling</p> <p>Motor Output 22kW</p> <p>Power Supply Three-phase</p> <p>Starting Method Direct on Line (Star-Delta available on special request)</p> <p>Motor Continuous-duty rated, dry-type induction motor</p> <p>Insulation Class: F Degree of Protection: IP68</p> <p>No. of Poles & Speed (Synchronous Speed) 4-pole, 1500/1800min⁻¹ (50/60Hz)</p> <p>Power Supply Voltages & Rated Currents</p> <table border="0"> <tr> <td>50Hz</td> <td>60Hz</td> </tr> <tr> <td>380V – 43.5A</td> <td>220V – 75.0A</td> </tr> <tr> <td>400V – 42.5A</td> <td>380V – 43.4A</td> </tr> <tr> <td>415V – 42.0A</td> <td>440V – 37.5A</td> </tr> </table> <p>Power Cable Sheath: Chloroprene rubber Standard Length: 10m 380 to 600V supply: 1 x (4 x 14mm² / 3 x 2mm²) O.D. 25.6mm 200 to 240V supply: 1 x 4 x 22mm², O.D. 31.6mm 1 x 4 x 1.25mm², O.D. 11.1mm</p> <p>Dry Weight (excluding cable) Free Standing Type: 415kg Guide Rail Fitting Type: 412kg</p>	50Hz	60Hz	380V – 43.5A	220V – 75.0A	400V – 42.5A	380V – 43.4A	415V – 42.0A	440V – 37.5A	<p>Impeller Semi-open Impeller made of high-chromium cast iron</p> <p>Solids Passage 50Hz – ϕ30mm 60Hz – ϕ30mm</p> <p>Agitator High-chromium cast iron</p> <p>Suction Plate Made of high-chromium cast iron, excellent in abrasion-resistance</p> <p>Cable Entry with Anti-Wicking Block Watertight cable entry with strain-relief device. The anti-wicking block prevents water incursion due to capillary action should the power cable be damaged or the end submerged.</p> <p>Bearing Permanently lubricated, deep-groove, double-shielded C3 ball bearings</p> <p>Shaft Chromium molybdenum steel</p> <p>Shaft Seal (Mechanical Seal) Furnished with a double-face mechanical seal located in oil chamber. Both upper and lower seal faces always run in a clean environment.</p> <p>Upper Seal Face: SiC + SiC Lower Seal Face: SiC + SiC</p> <p>Oil Seal (Lip Seal) Used as a "Dust Seal", it protects the mechanical seal from abrasive particles.</p> <p>OIL LIFTER (Patented) Equipped in oil chamber. It forcibly supplies lubricating oil to the mechanical seal and continues to supply the oil to the upper seal faces even if lubricant falls below the rated volume.</p> <p>Type of Lubricating Oil & Volume Turbine Oil (ISO VG32), 3600ml</p> <p>Motor Protection Device A miniature thermal protector is embedded in each winding of the motor. Should excessive heat builds up, the bimetal strip opens to cause the control panel to shut the power supply.</p> <p>Leakage Sensor Made of 304 stainless steel. It can be wired to a control panel to alert operators of water incursion into the oil chamber.</p>
50Hz	60Hz								
380V – 43.5A	220V – 75.0A								
400V – 42.5A	380V – 43.4A								
415V – 42.0A	440V – 37.5A								

NO. J4-40822-1

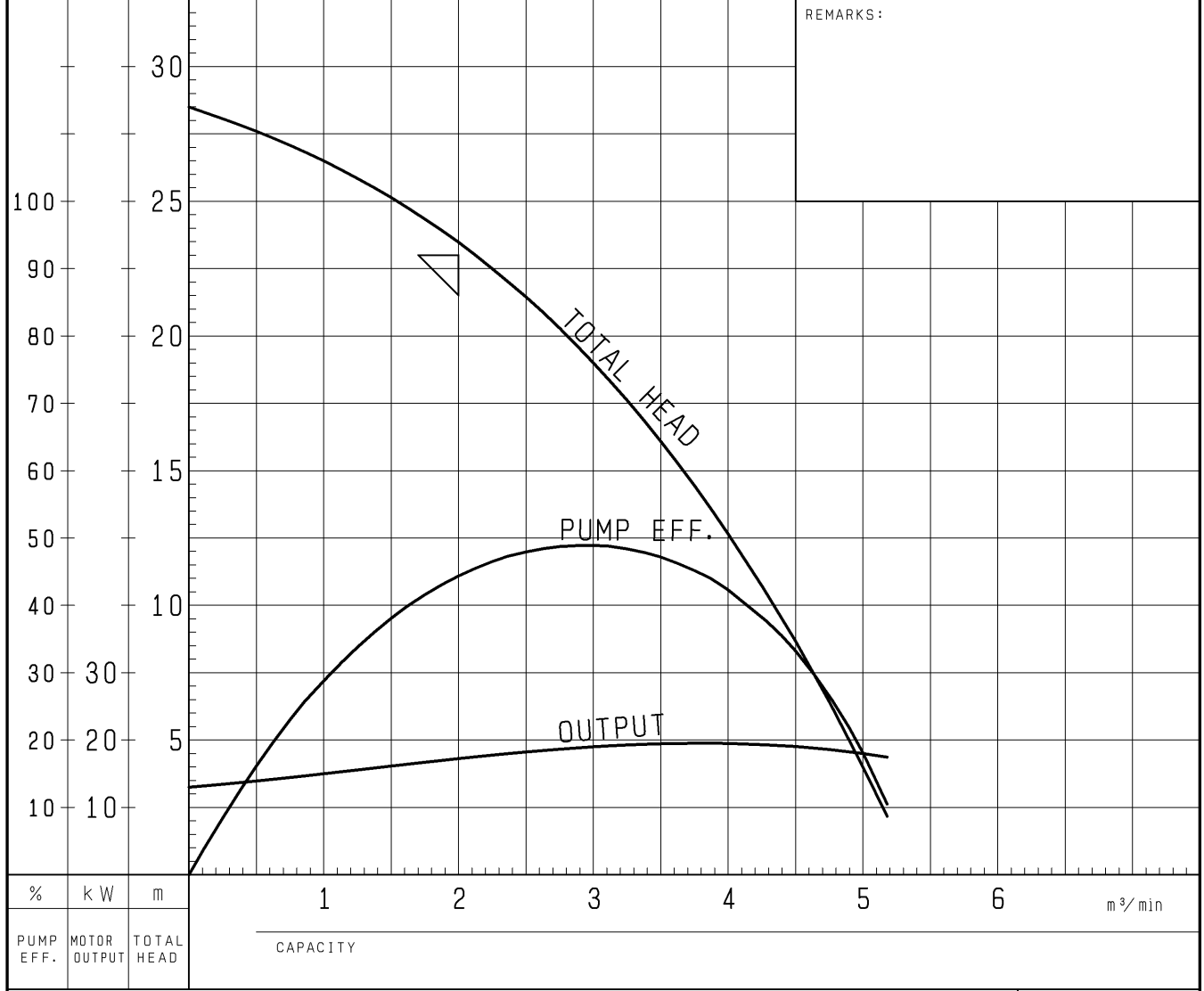
PUMP PERFORMANCE CURVES

TYPE SUBMERSIBLE PUMP	MODEL GPN622-61	FREQUENCY 60 Hz
---------------------------------	---------------------------	---------------------------

CUSTOMER'S NAME _____

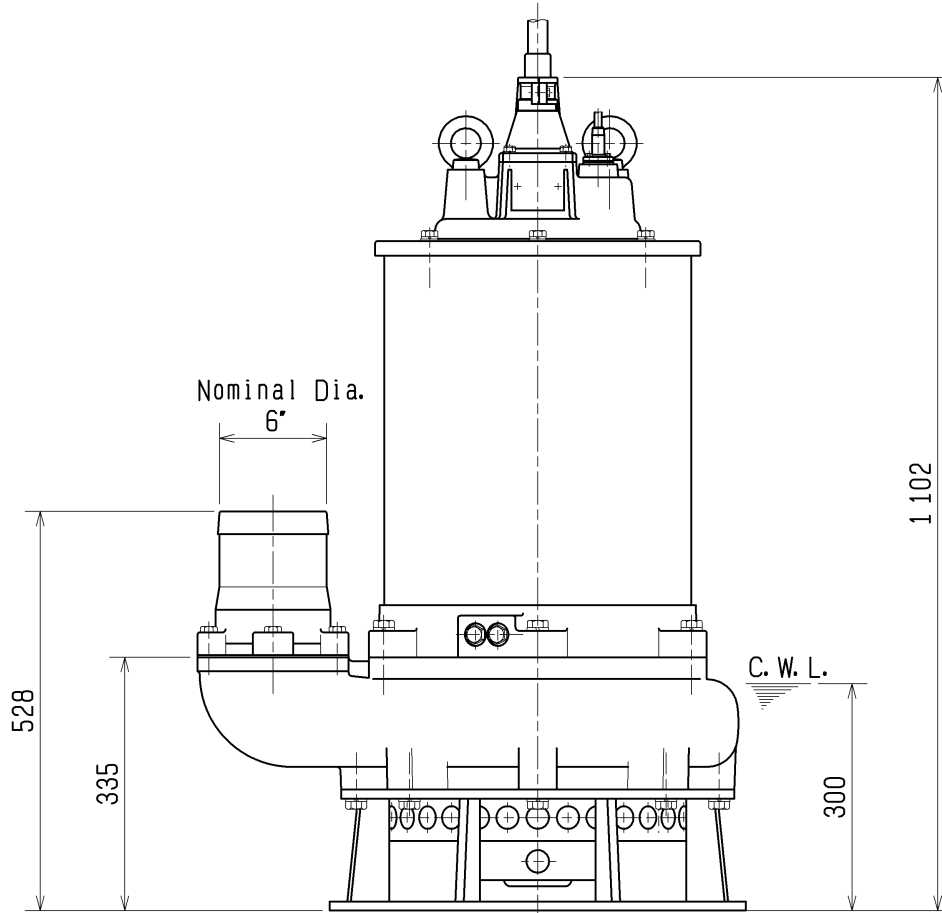
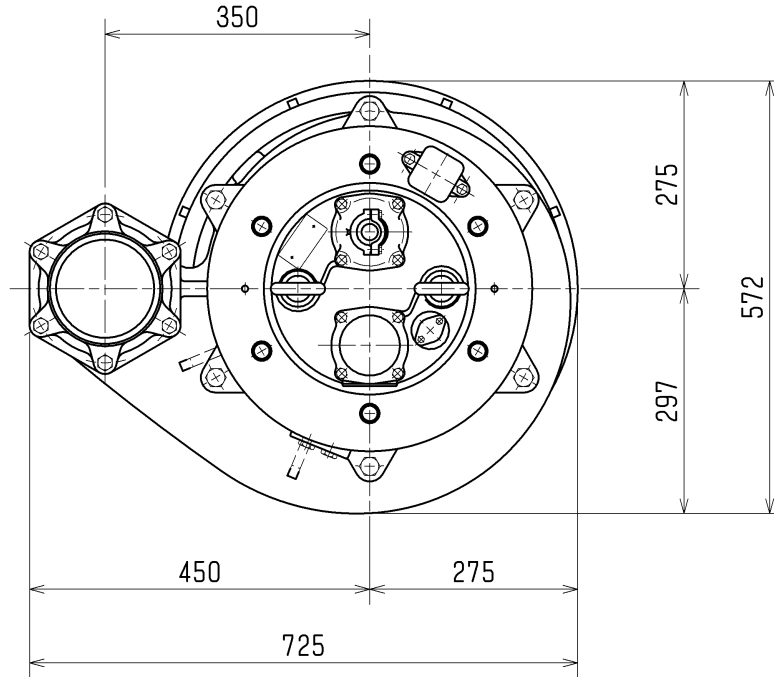
EQUIPMENT TITLE _____ NO. _____

	STANDARD SPECIFICATIONS	REQUIRED SPECIFICATIONS
DISCHARGE BORE	150 mm	mm
TOTAL HEAD	23.0 m	m
CAPACITY	2.0 m ³ /min	m ³ /min
MOTOR OUTPUT	22 kW	kW
PHASE × VOLTAGE	3 φ × V	φ × V
CURRENT	A	A
POLES / REVOLUTION	4 P / s. s. 1800 min ⁻¹	P / min ⁻¹
STARTING METHOD	DIRECT ON LINE	
INSULATION CLASS	F	



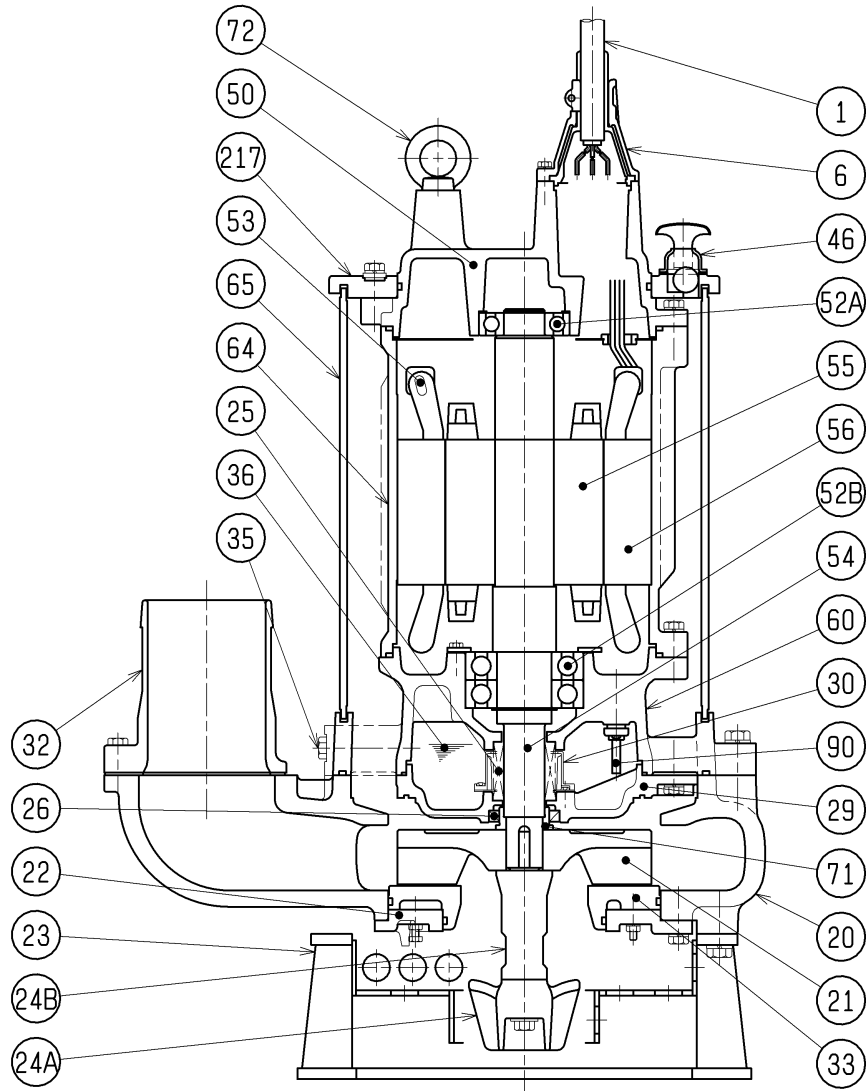
TSURUMI MFG. CO., LTD.

DIMENSION DRAWING		No.	No. J4-40825-1
TYPE	SUBMERSIBLE PUMP	MODEL	GPN622-51/61



C.W.L. :Continuous Running Water Level

SECTIONAL DRAWING		No.	No. J4-40826-2
TYPE	SUBMERSIBLE PUMP	MODEL	GPN622-51/61



REQ. SPECIFICATION

No.	DESCRIPTION	QTY	MATERIAL / NOTE	No.	DESCRIPTION	QTY	MATERIAL / NOTE
1	Cabtyre Cable	1	Chloroprene Sheath *	46	Air Release Valve	1	Steel Sheet
6	Stuffing Box	1	Gray Iron Casting	50	Motor Bracket	1	Gray Iron Casting
20	Pump Casing	1	Gray Iron Casting	52A	Upper Bearing	1	6309ZZC3
21	Impeller	1	Chromium Iron Casting	52B	Lower Bearing	1	6312ZZD2C3
22	Suction Cover	1	Gray Iron Casting	53	Motor Protector	3	
23	Strainer Stand	1	Carbon Steel Pipe & Structure Steel	54	Shaft	1	Chromium Molybdenum Steel
24A	Stirrer	1	Chromium Iron Casting	55	Rotor	1	
24B	Connecting Rod	1	Malleable Iron Casting (Hardened)	56	Stator	1	
25	Mechanical Seal	1	H-50	60	Bearing Housing	1	Gray Iron Casting
26	Oil Seal	1	TC608212	64	Motor Frame	1	Gray Iron Casting
29	Oil Casing	1	Gray Iron Casting	65	Outer Cover	1	Carbon Steel Pipe
30	Oil Lifter	1	Plastic	71	Shaft Sleeve	1	Stainless Steel 403
32	Hose Coupling	1	Gray Iron Casting	72	Eye Bolt	2	Structure Steel
33	Suction Plate	1	Chromium Iron Casting	90	Leakage Sensor Electrode	1	Stainless Steel
35	Oil Plug	2	Stainless Steel 304	217	Fixing Plate	1	Gray Iron Casting
36	Lubricant		Turbin Oil (ISO VG32)				